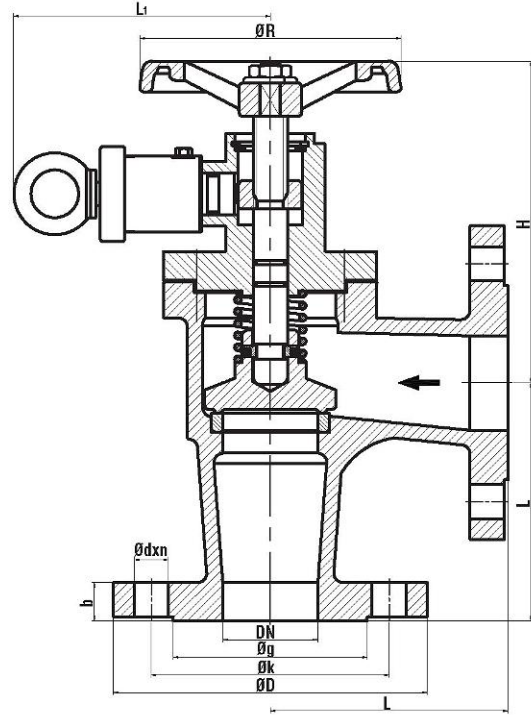




**SOY VALVE**

**Dünyanın Vanasını Üretiyoruz / We Produce The World's Valve**

## **Ani Kapama Vanası (Gönye Tip) (BV,TL,RMRS Tip Onaylı)** **Quick Closing Valve (Angle Type) (BV,TL,RMRS Type Approved)**



NO	PARÇA ADI	PART NAME	MATERIAL	NO	PARÇA ADI	PART NAME	MATERIAL
1	GÖVDE	BODY	GGG40.3	10	PUL	WASHER	ST37
2	SİT	SEAT	X20Cr13 / 304	11	EMNİYET SEGMANI	SECURITY RING	SPRING STEEL
3	KAPAK	BONNET	GGG40.3	12	CONTA	GASKET	KLINGERIT
4	MİL	STEM	X20Cr13 / 304	13	ÇIVATA	BOLT	8.8 STEEL
5	O-RING	O-RING	VITON	14	HENDİL	HANDWHEEL	GG25
6	GÖSTERGE SOMUNU	INDICATOR NUT	X20Cr13 / Ms58	15	SOMUN & PUL	NUT & WASHER	STEEL
7	YAY	SPRING	SPRING STEEL C	16	ACTİVATOR	ACTUATOR	X20Cr13 / Ms58
8	KLAPE	DISC	X20Cr13 / 304	17	SETSKUR	SCREW	304
9	SETSKUR	SCREW	304	18	PİM	PIN	304

DN	ØD	Øk	Øg	L	b	ØR	H	L1	STROK	Ødxn	KG
15	95	65	45	90	14	110	160	134	9	14x4	3,8
20	105	75	58	95	16	110	160	134	9	14x4	4,5
25	115	85	68	100	16	110	165	134	12	14x4	6,5
32	140	100	78	105	18	140	170	134	13	18x4	7,4
40	150	110	88	115	18	140	185	134	15	18x4	10,5
50	165	125	102	125	20	160	190	136	20	18x4	13,5
65	185	145	122	145	20	160	205	136	22	18x4	18
80	200	160	138	155	22	200	250	136	25	18x8	23
100	220	180	158	175	24	220	270	136	30	18x8	36
125	250	210	188	200	26	220	315	160	34	18x8	54
150	285	240	212	225	26	220	360	160	42	18x8	72

**UYGULAMA ALANLARI / APPLICATIONS**

**YAĞ VE DİZEL SİSTEMLERDE/ OIL AND FUEL SYSTEMS**

**ÇALIŞMA ŞARTLARI / WORKING CONDITIONS: DIN 2401**

**BAĞLANTILAR / ENDS: DIN 2501**

**VANA BOYUTLARI / VALVE DIMENSIONS: DIN 3202-F1**

**ÇALIŞMA SICAKLIĞI / WORKING TEMP. : -10°C / 220°C**

**ÇALIŞMA BASINCI / WORKING PRESSURE: PN16**

**FACE TO FACE DIMENSIONS TS EN 558-1**